

Table of Content

Other Shapes.....2



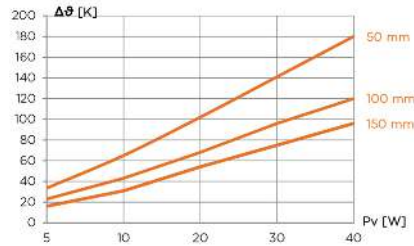
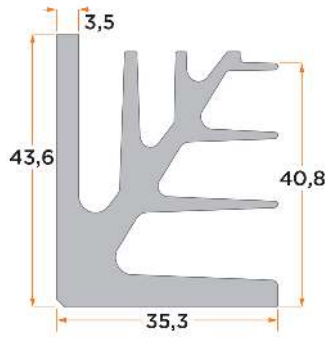
You will find the right cooling solution for your needs easily and reliably from more than 200 different heat sink extrusions. You will find your choice of standard extrusions, sorted by profile width, in the following pages. The display of the geometry and a detailed thermal diagram offer you an initial orientation.

You will find detailed information on our website for each profile as well as 2D and 3D drawings available for download.

If you are unable to find the solution you are looking for in this catalogue, please call us up.

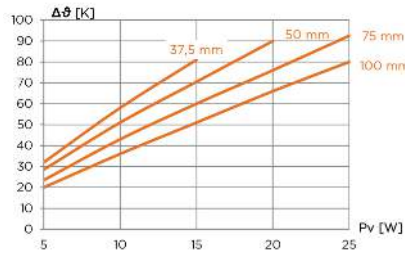
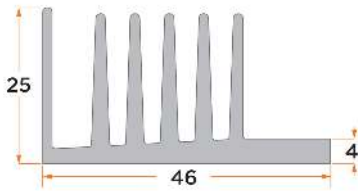
We are constantly expanding our range of products. You can also get the latest information by visiting our website at www.alutronic.de

PR 394



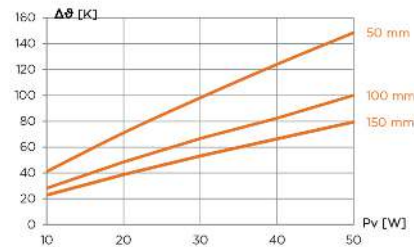
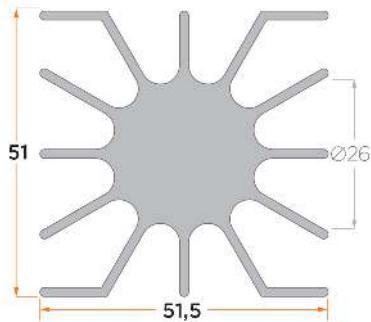
Pv [W]	RthK [K/W]		
	50 mm	100 mm	150 mm
5	6,70	4,60	3,20
10	6,50	4,30	3,10
20	5,10	3,40	2,70
30	4,70	3,20	2,50
40	4,50	3,00	2,40
mm	50	100	150
kg/m	1,79		

PR 113



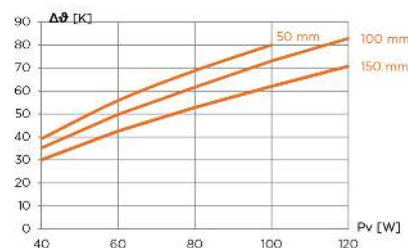
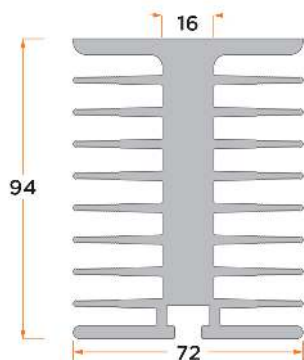
Pv [W]	RthK [K/W]			
	37,5 mm	50 mm	75 mm	100 mm
5	6,4	5,7	4,7	4,0
10	5,8	5,1	4,3	3,6
15	5,4	4,7	4,0	3,4
20		4,5	3,8	3,3
25			3,7	3,2
mm	37,5	50	75	100
kg/m	1,10			

PR 365



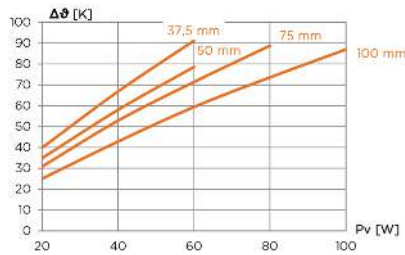
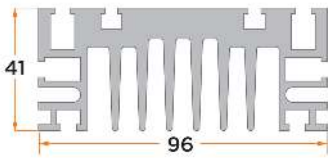
Pv [W]	RthK [K/W]		
	50 mm	100 mm	150 mm
10	4,11	2,83	2,29
20	3,55	2,42	1,94
30	3,27	2,22	1,77
40	3,10	2,06	1,66
50	2,97	2,00	1,59
mm	50	100	150
kg/m	2,50		

PR 227



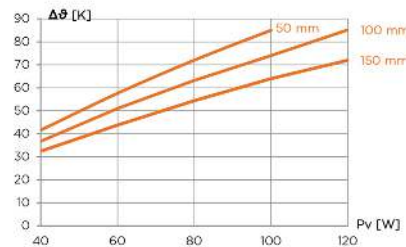
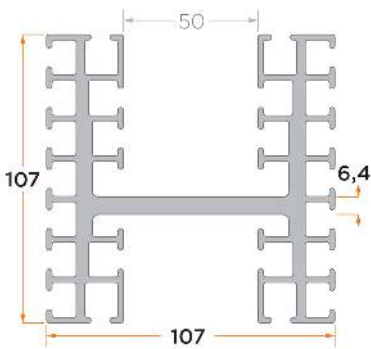
Pv [W]	RthK [K/W]		
	50 mm	100 mm	150 mm
40	0,98	0,88	0,75
60	0,93	0,83	0,71
80	0,86	0,77	0,66
100	0,80	0,73	0,62
120		0,69	0,59
mm	50	100	150
kg/m	7,79		

PR 221



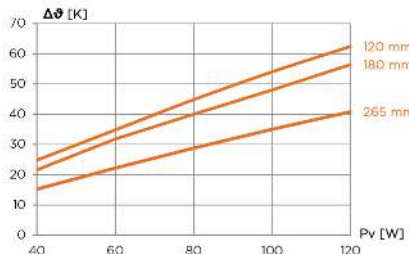
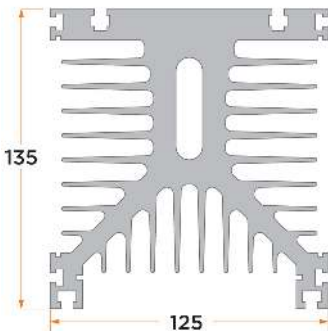
Pv [W]	RthK [K/W]			
20	1,99	1,74	1,54	1,25
40	1,67	1,45	1,32	1,07
60	1,52	1,31	1,19	0,99
80			1,11	0,92
100				0,87
mm	37,5	50	75	100
kg/m	4,88			

PR 210



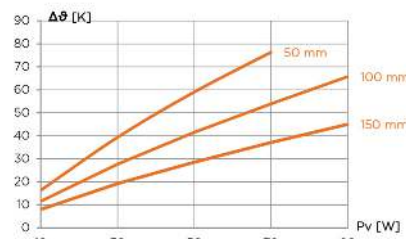
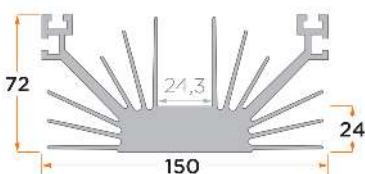
Pv [W]	RthK [K/W]		
40	1,04	0,92	0,81
60	0,96	0,85	0,73
80	0,90	0,79	0,68
100	0,85	0,74	0,64
120		0,71	0,60
mm	50	100	150
kg/m	7,17		

PR 223



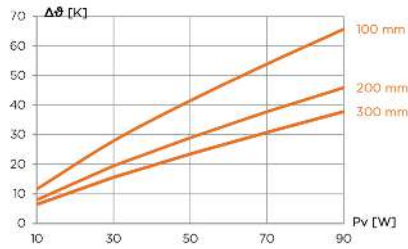
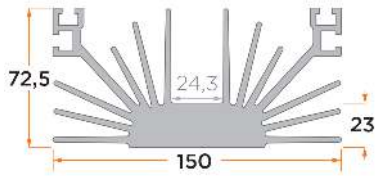
Pv [W]	RthK [K/W]		
40	0,62	0,54	0,38
60	0,58	0,53	0,37
80	0,56	0,50	0,36
100	0,54	0,48	0,35
120	0,52	0,47	0,34
mm	120	180	265
kg/m	17,88		

PR 386



Pv [W]	RthK [K/W]		
10	1,63	1,15	0,80
30	1,31	0,92	0,64
50	1,18	0,83	0,57
70	1,09	0,77	0,53
90		0,73	0,50
mm	50	100	150
kg/m	8,86		

PR 383



Pv [W]	RthK [K/W]		
	100 mm	200 mm	300 mm
10	1,16	0,80	0,64
30	0,93	0,65	0,52
50	0,83	0,58	0,47
70	0,77	0,54	0,44
90	0,73	0,51	0,42
mm	100	200	300
kg/m	10,15		



Alutronic also offers standard extrusions without further metal work - only cut to length with surface treatment on request!