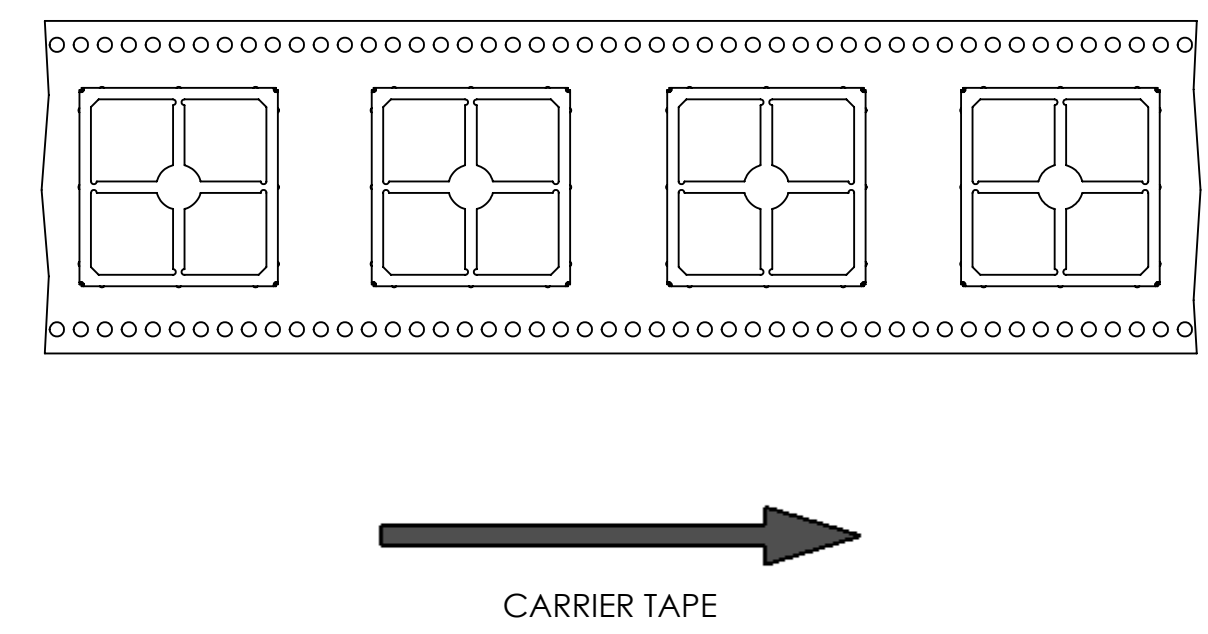
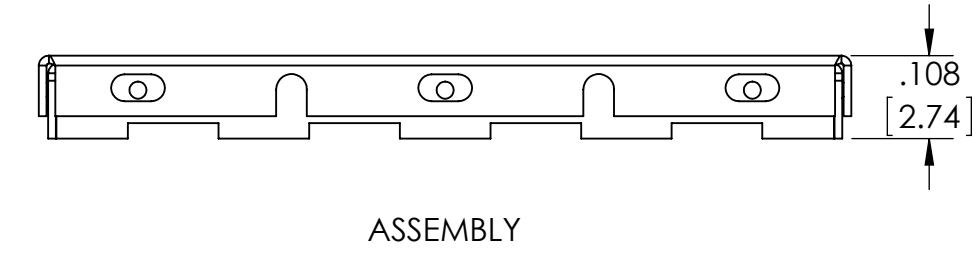
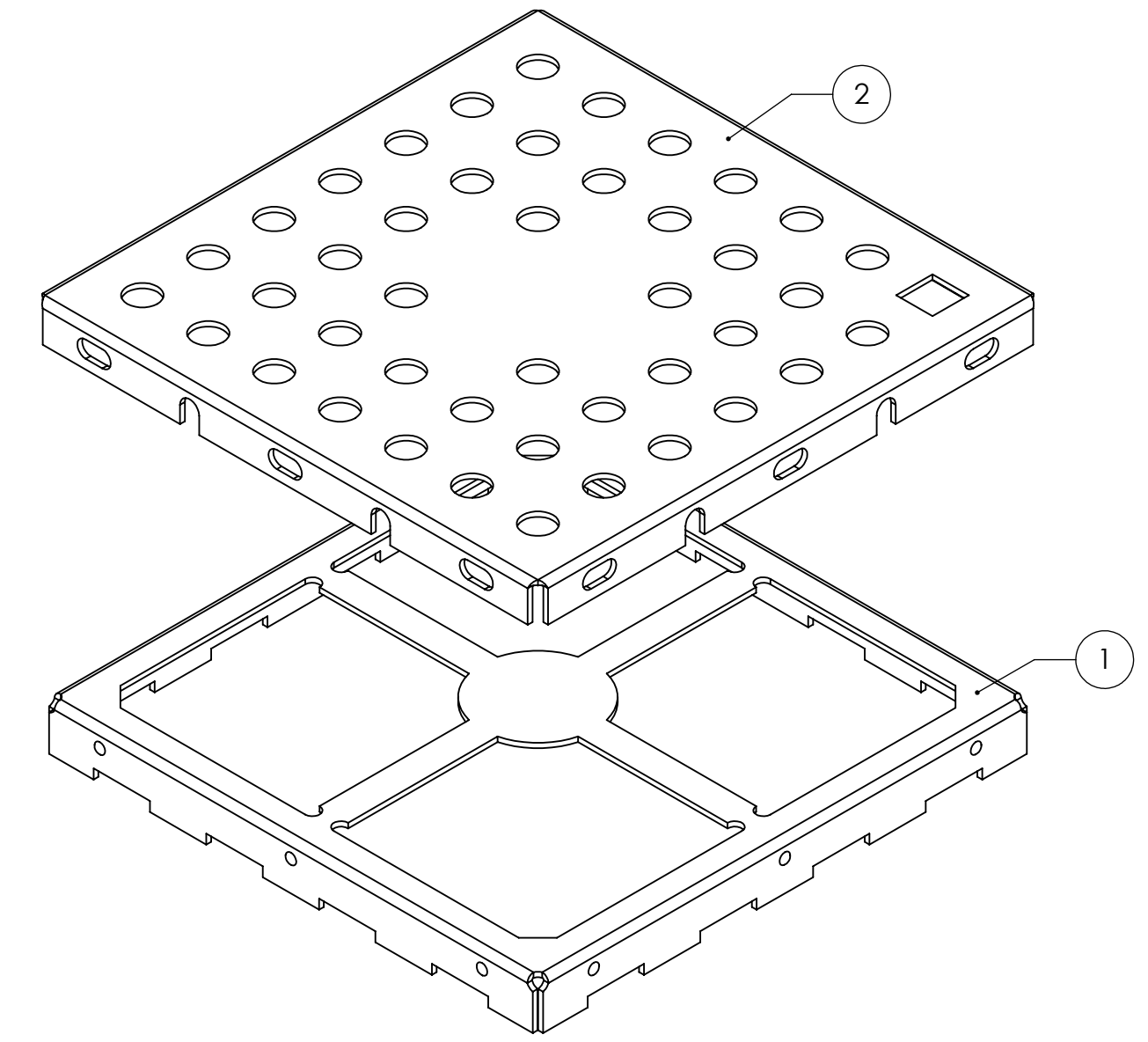
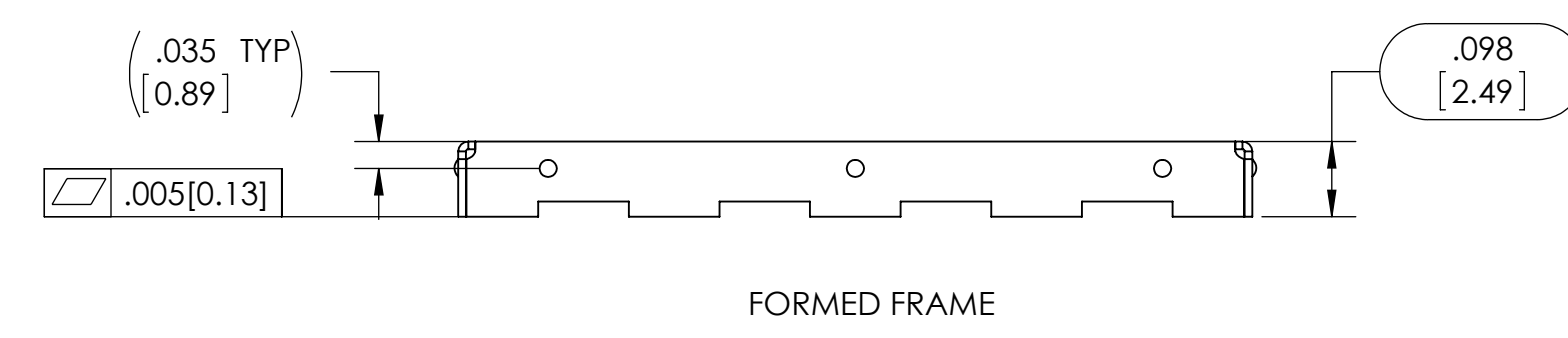
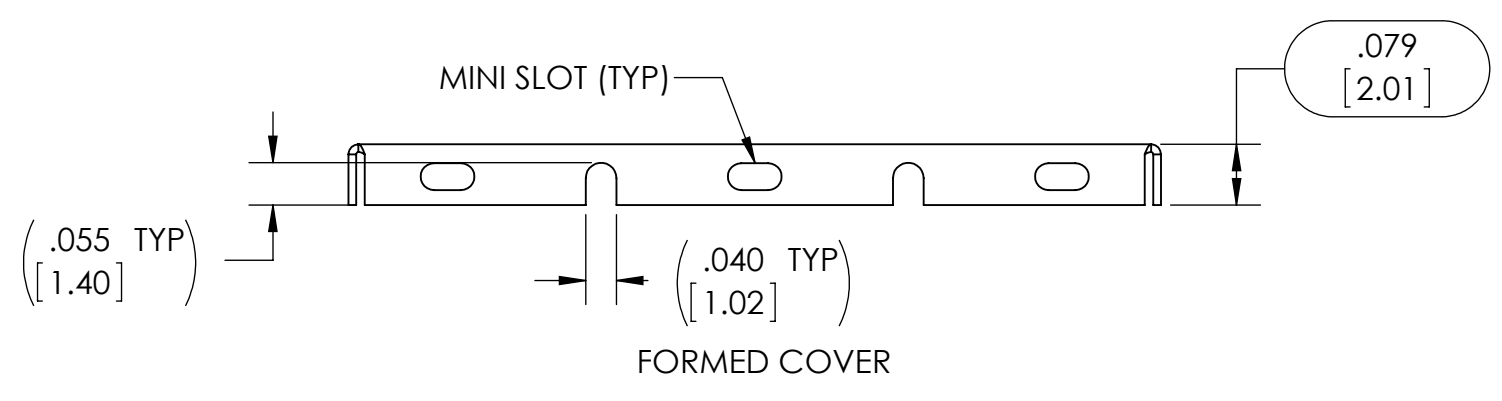
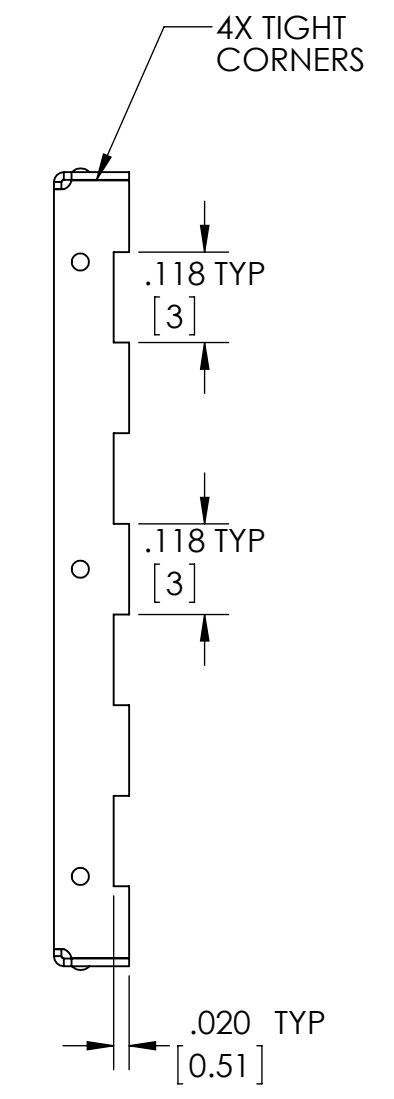
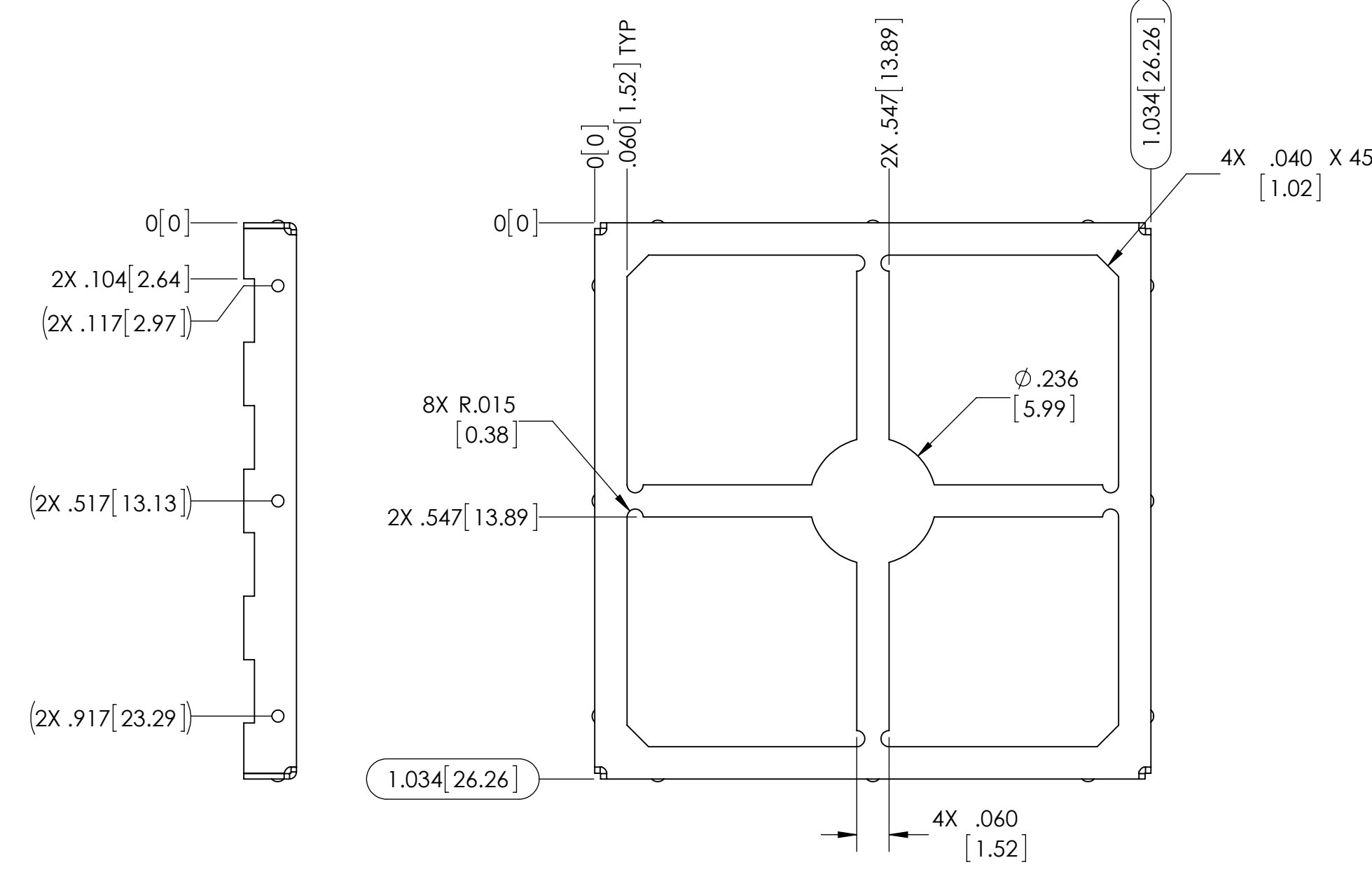
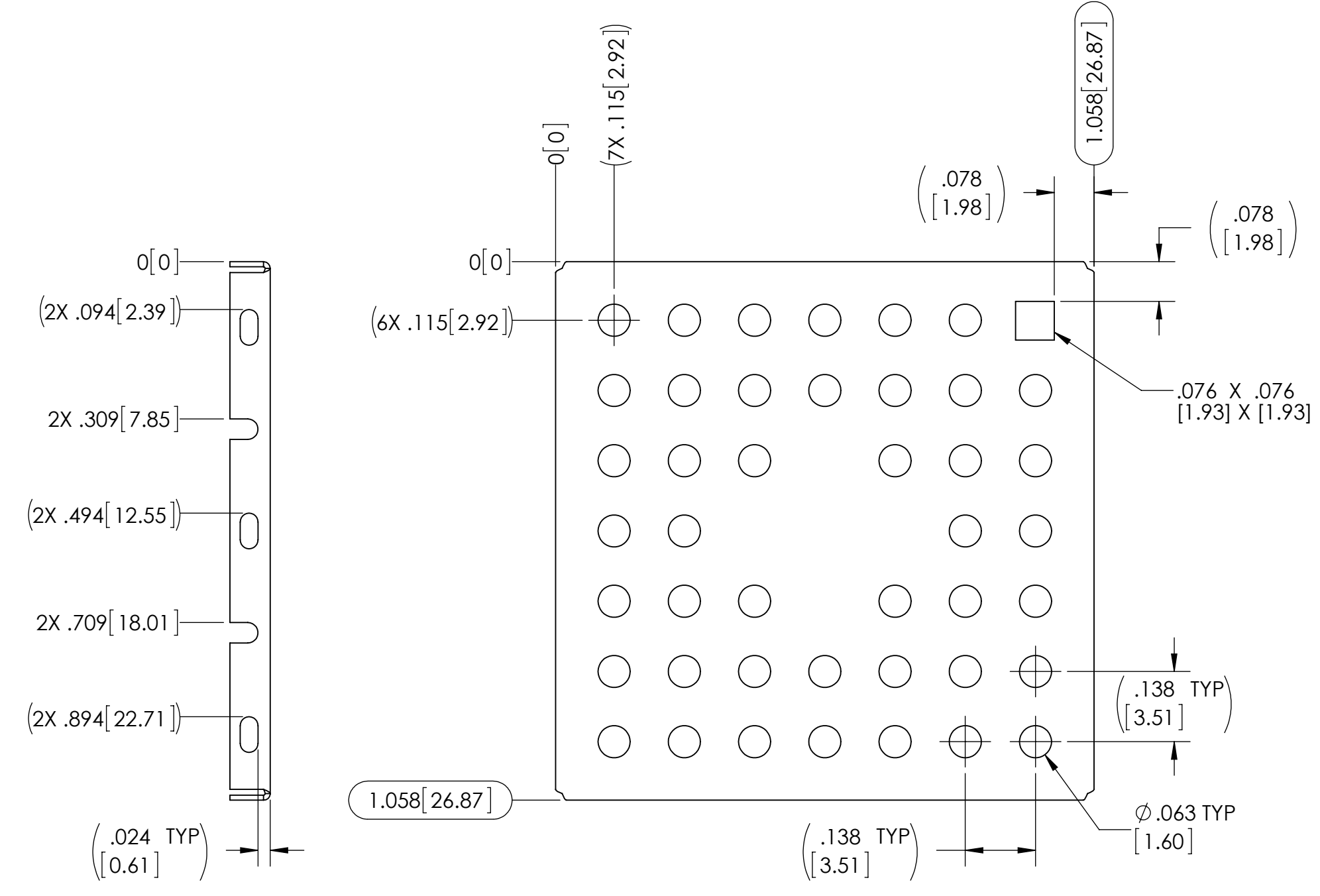
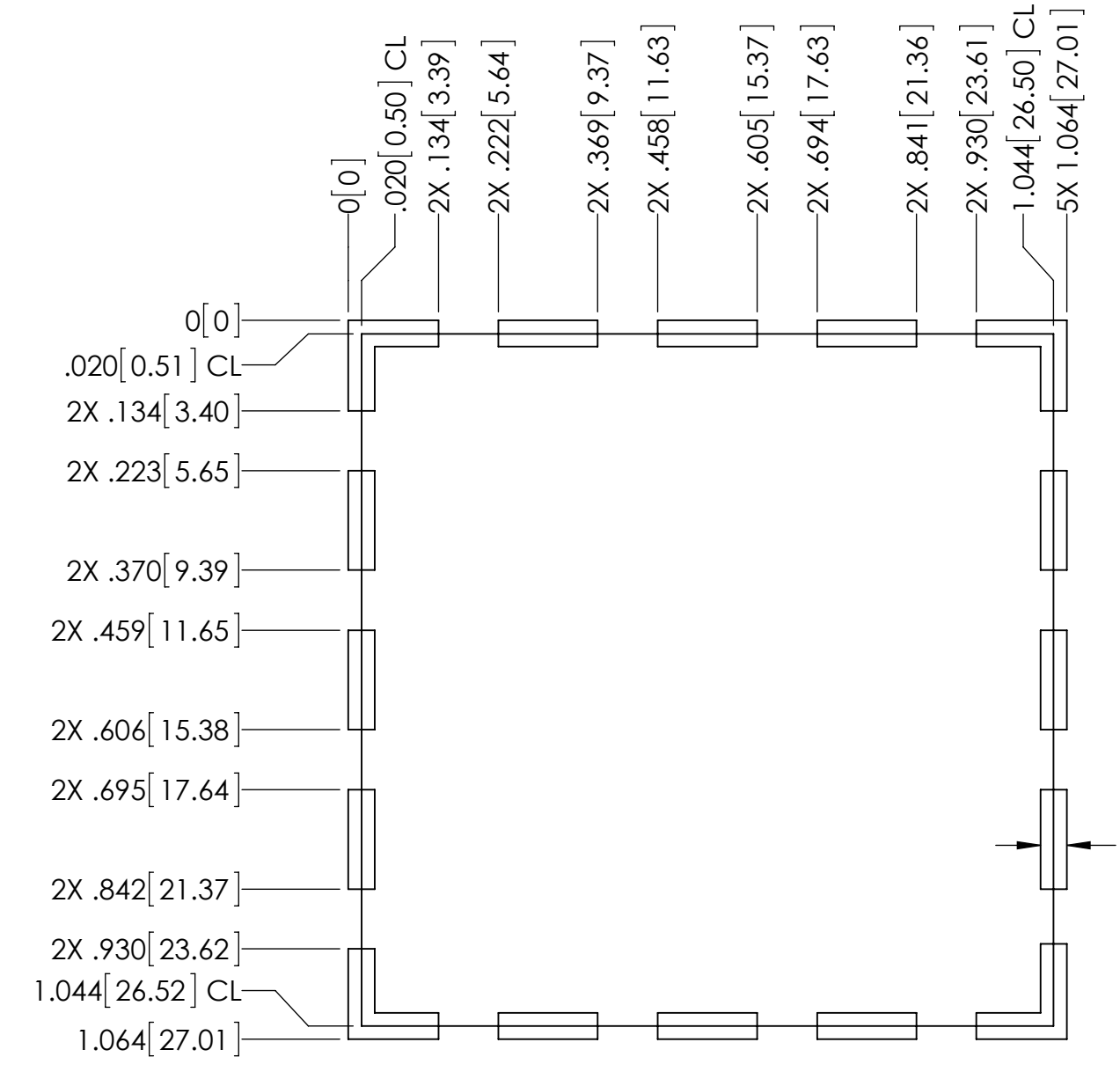
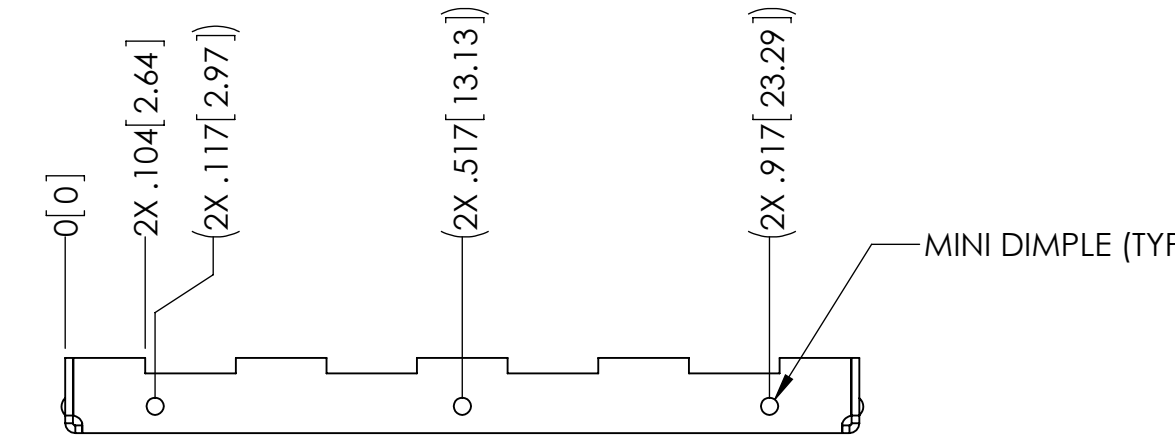
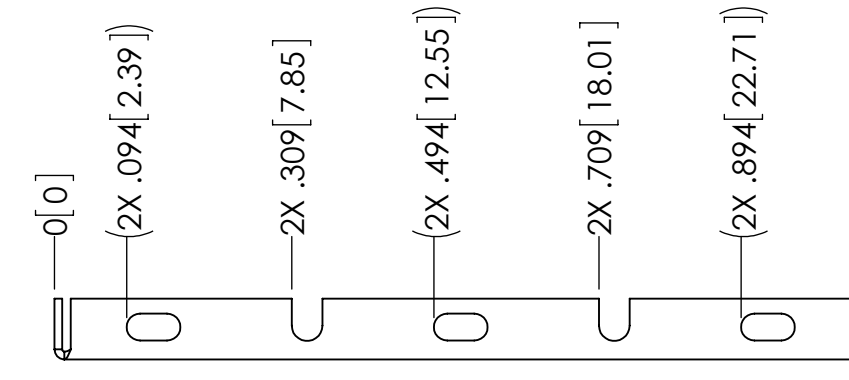


- NOTES:
1. ASSURE ASSEMBLY CAPABILITY BY MATCHING WITH MATING PART
 2. DIMENSIONS IN [] ARE IN MILLIMETERS



CARRIER TAPE SPECIFICATIONS						
PART NUMBER	DESCRIPTION	OVERALL DIMENSIONS	OVERALL HEIGHT	CARRIER TAPE WIDTH	CARRIER TAPE PITCH	PARTS PER REEL
SMS-254-F	FRAME	1.034 X 1.034 (26.26 X 26.26)	.098 (2.49)	44 mm	32 mm	300 Δ
SMS-254-C	COVER	1.058 X 1.058 (26.87 X 26.87)	.079 (2.01)	N/A	N/A	BULK PACK

TEM NO.	PART NUMBER	DESCRIPTION	QTY.
1	SMS-254 F	FRAME	1
2	SMS-254 C	COVER	1

<small>UNLESS OTHERWISE SPECIFIED: - ALL DIMENSIONS ARE IN INCHES - PART SHALL BE FREE OF BURRS AND SHARP EDGES - ALL DIMENSIONS SHOWN APPLY BEFORE PLATING AND COATINGS - ROHS COMPLIANT PER EU DIRECTIVE 2011/65/EU - POI = POINT OF INTERSECTION</small>			
<small>THIS DOCUMENT CONTAINS PROPRIETARY INFORMATION OWNED BY LEADERTECH OR DEVELOPED AT ITS OWN PRIVATE EXPENSE AND MAY NOT BE USED, DUPLICATED OR DISCLOSED IN WHOLE OR IN PART FOR ANY PURPOSE INCLUDING DESIGN, MANUFACTURE OR PROCUREMENT WITHOUT THE WRITTEN PERMISSION OF LEADERTECH. LEADERTECH DOES NOT GUARANTEE OR WARRANT THE PERFORMANCE CHARACTERISTICS.</small>		<small>THIRD ANGLE PROJECTION</small>	<small>LEADERTECH</small> a HEICO company <small>The Leading Edge in PAF Handling Technology</small>
<small>DRAWN BY:</small> NA	<small>APPROVED BY:</small> TS	<small>DATE:</small> 2014-03-11	<small>REV:</small> B
<small>MATERIAL:</small> .010[0.25] - PRE TIN STEEL	<small>SCALE:</small> 4:1	<small>CAGE CODE:</small> 4J674	<small>SHEET:</small> 1 OF 1

SLOT LOK LOW PROFILE