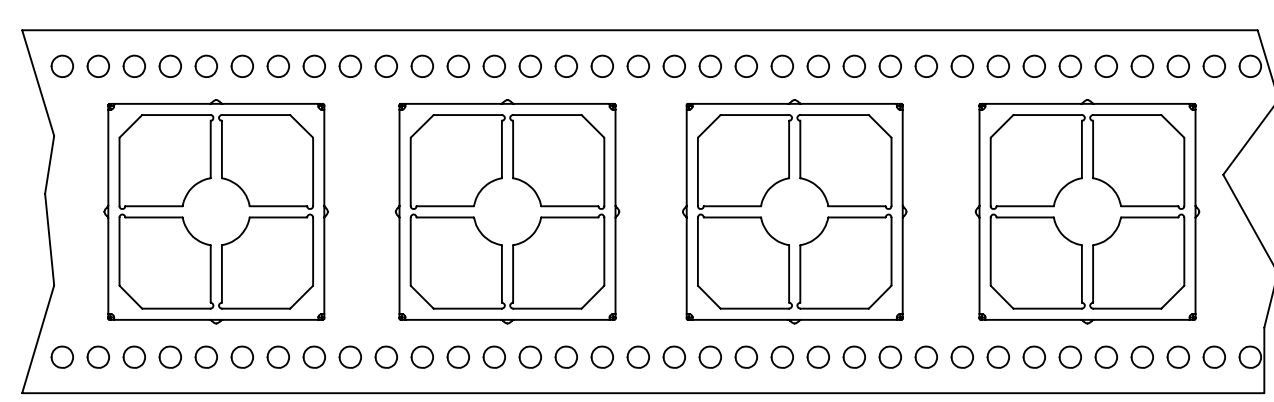
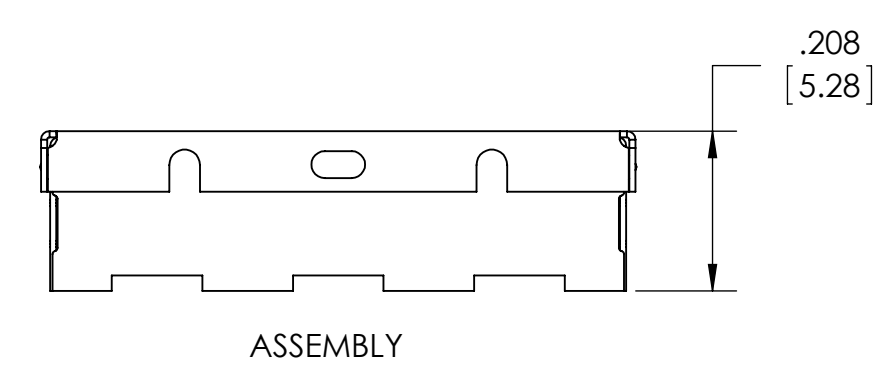
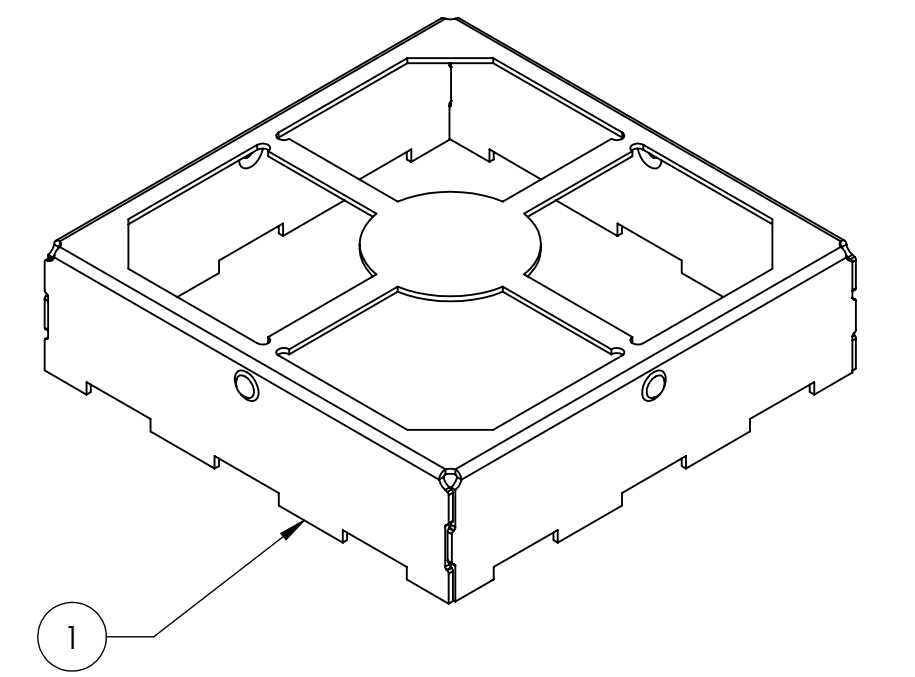
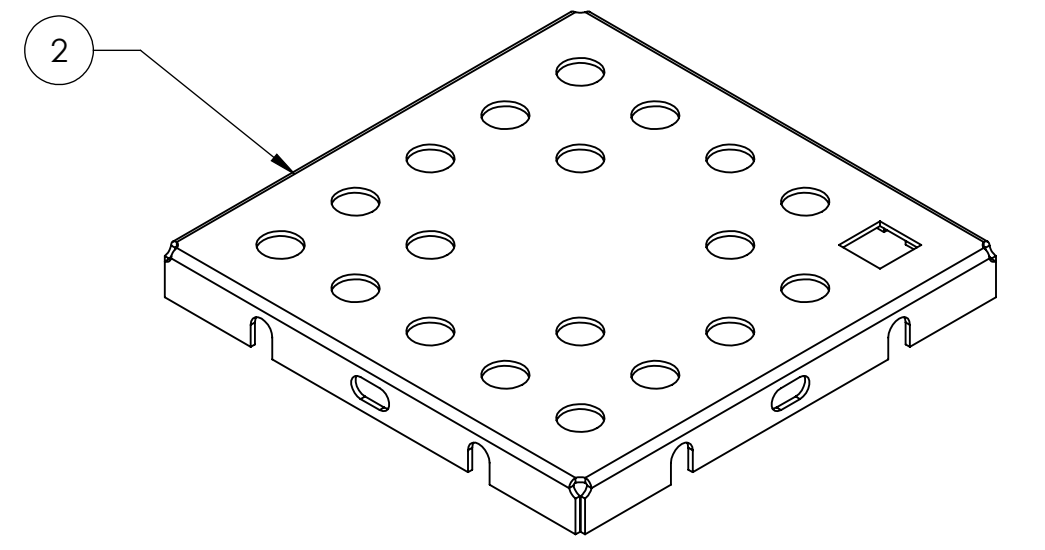
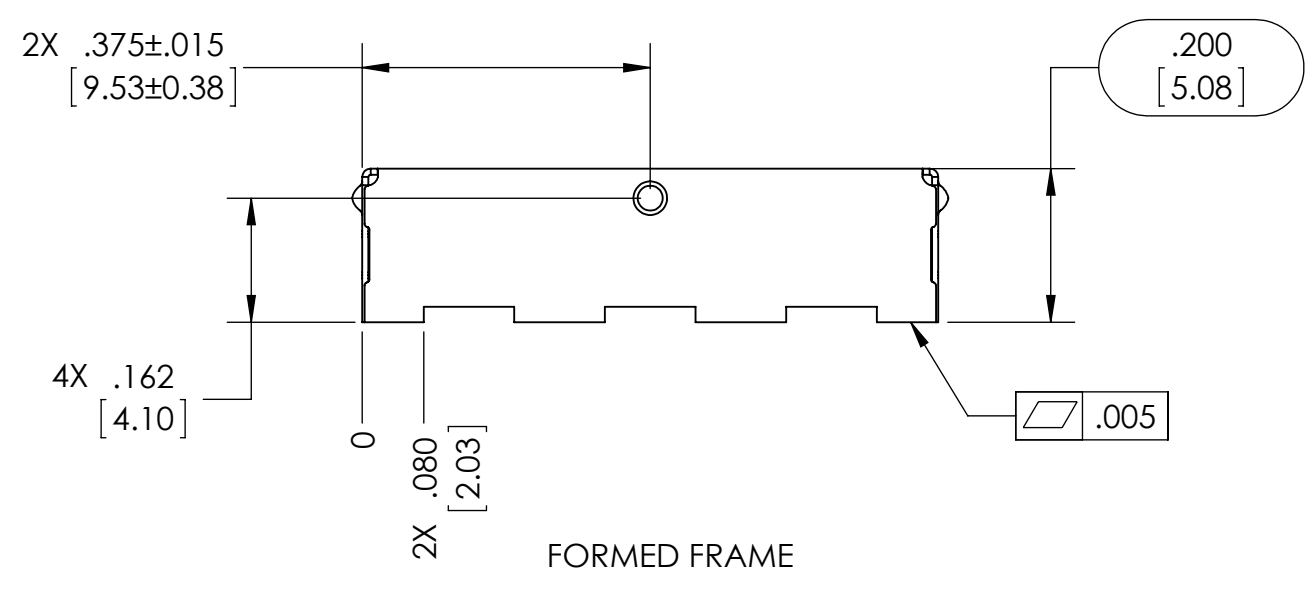
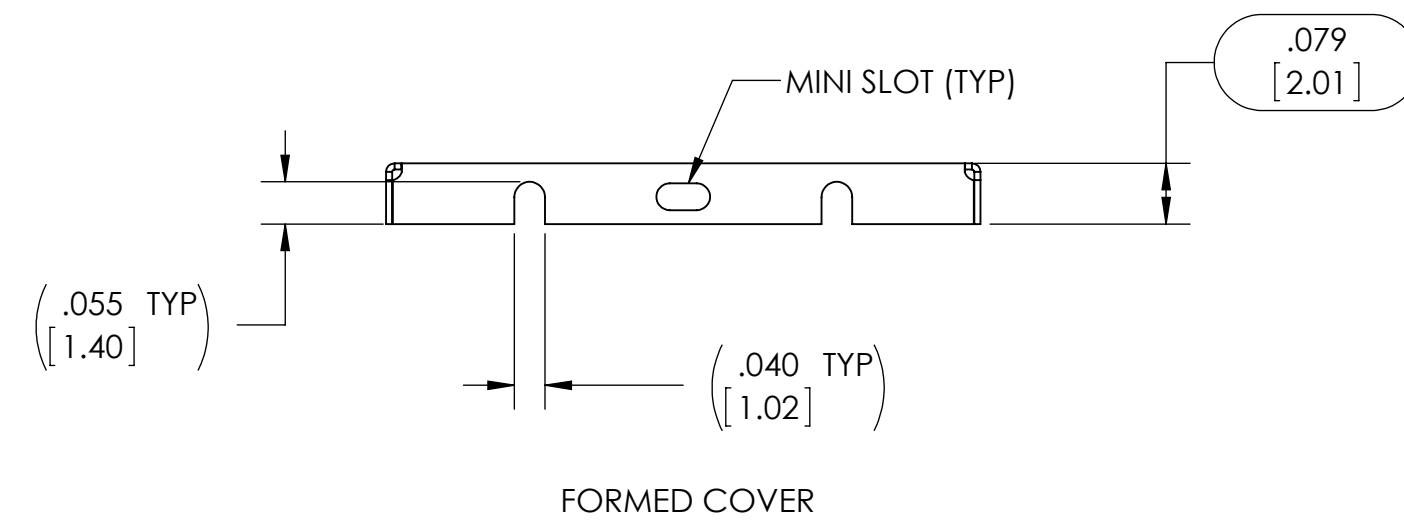
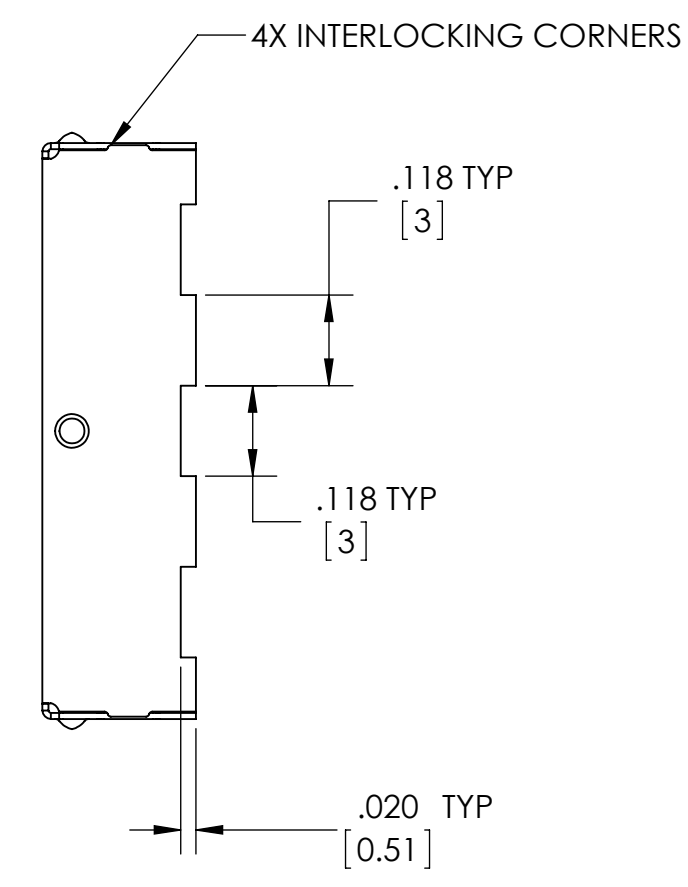
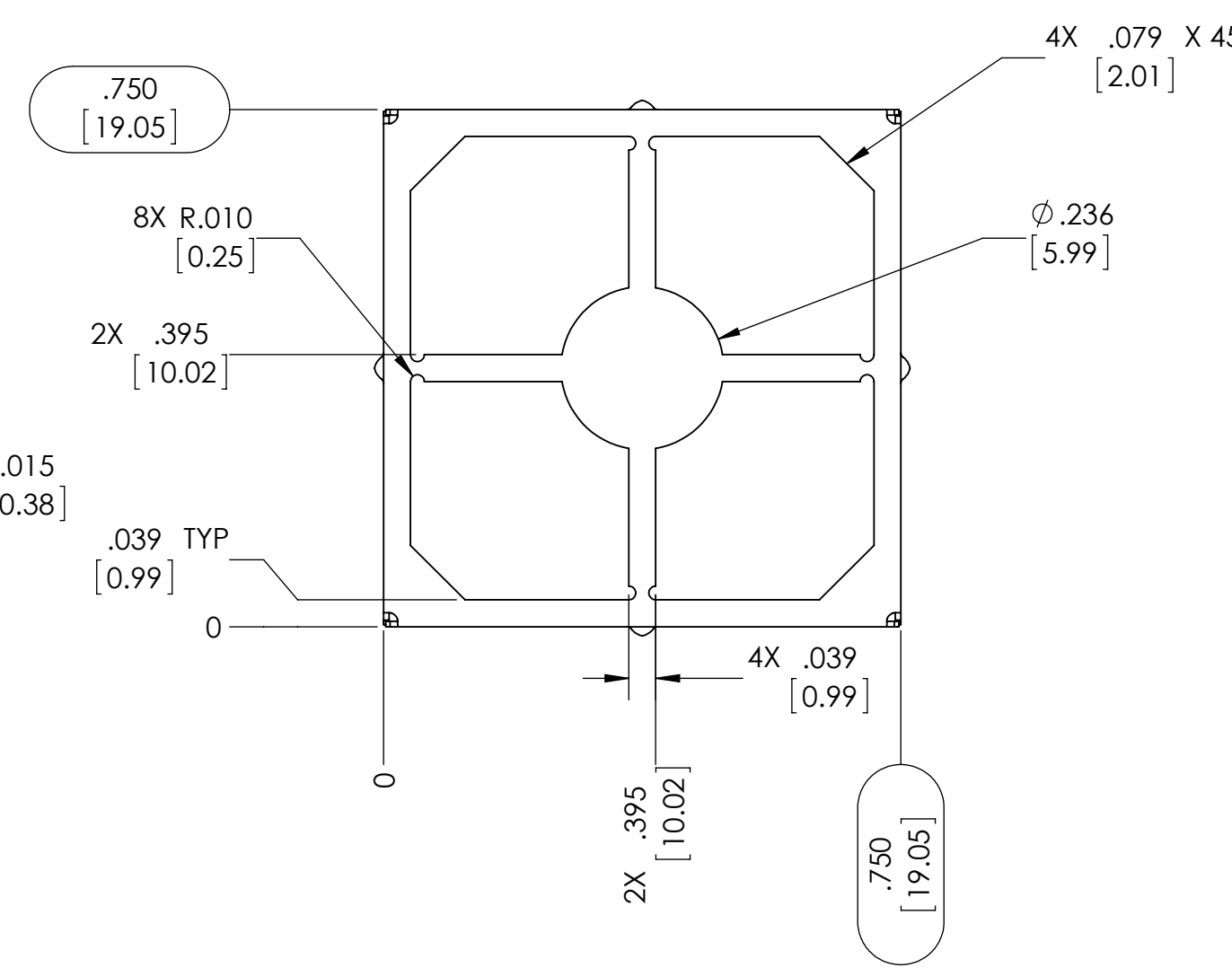
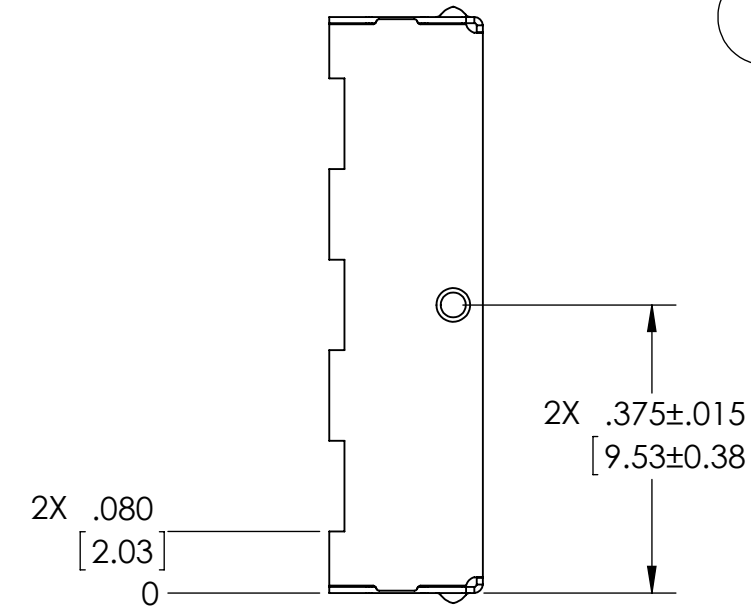
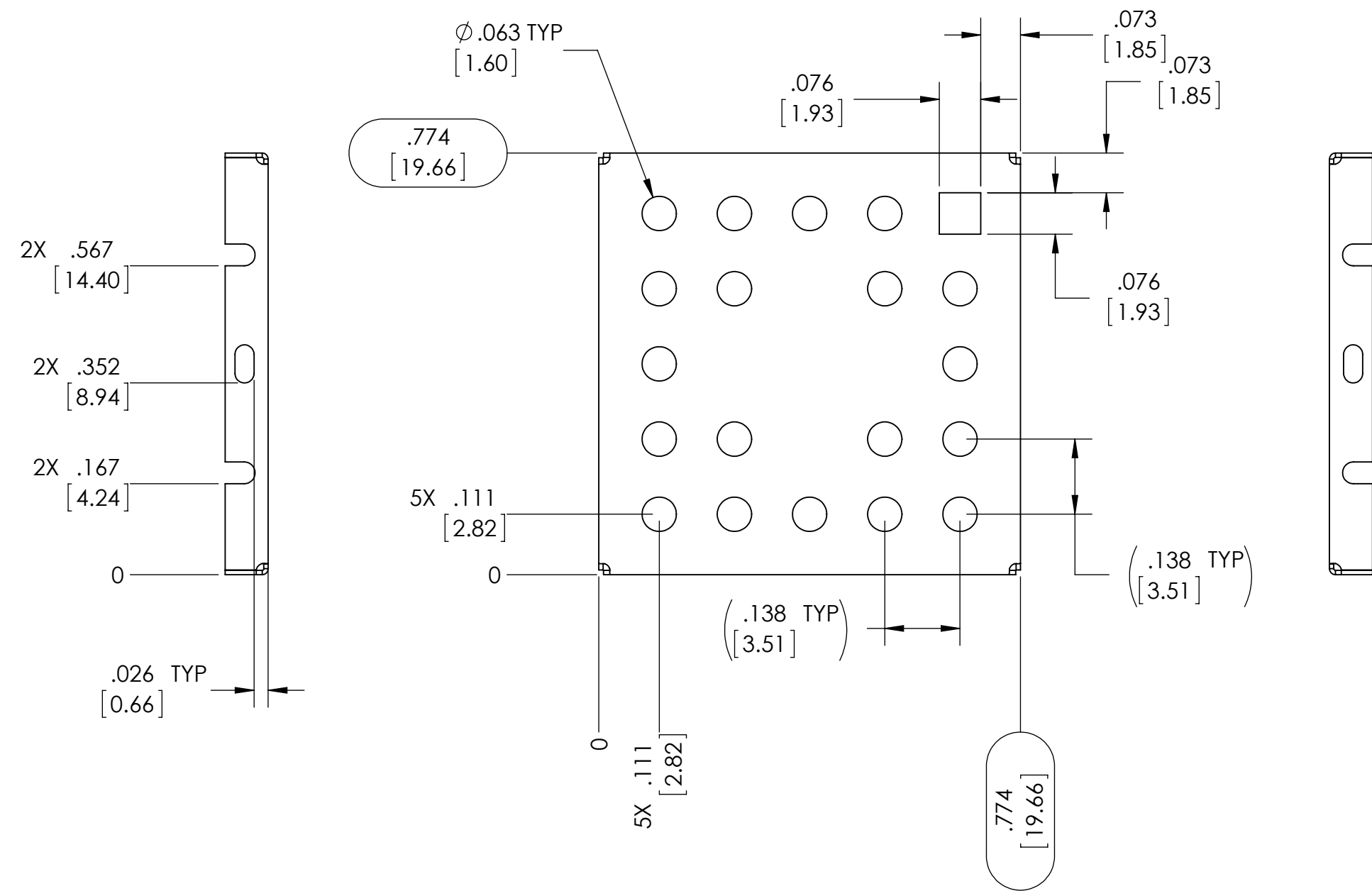
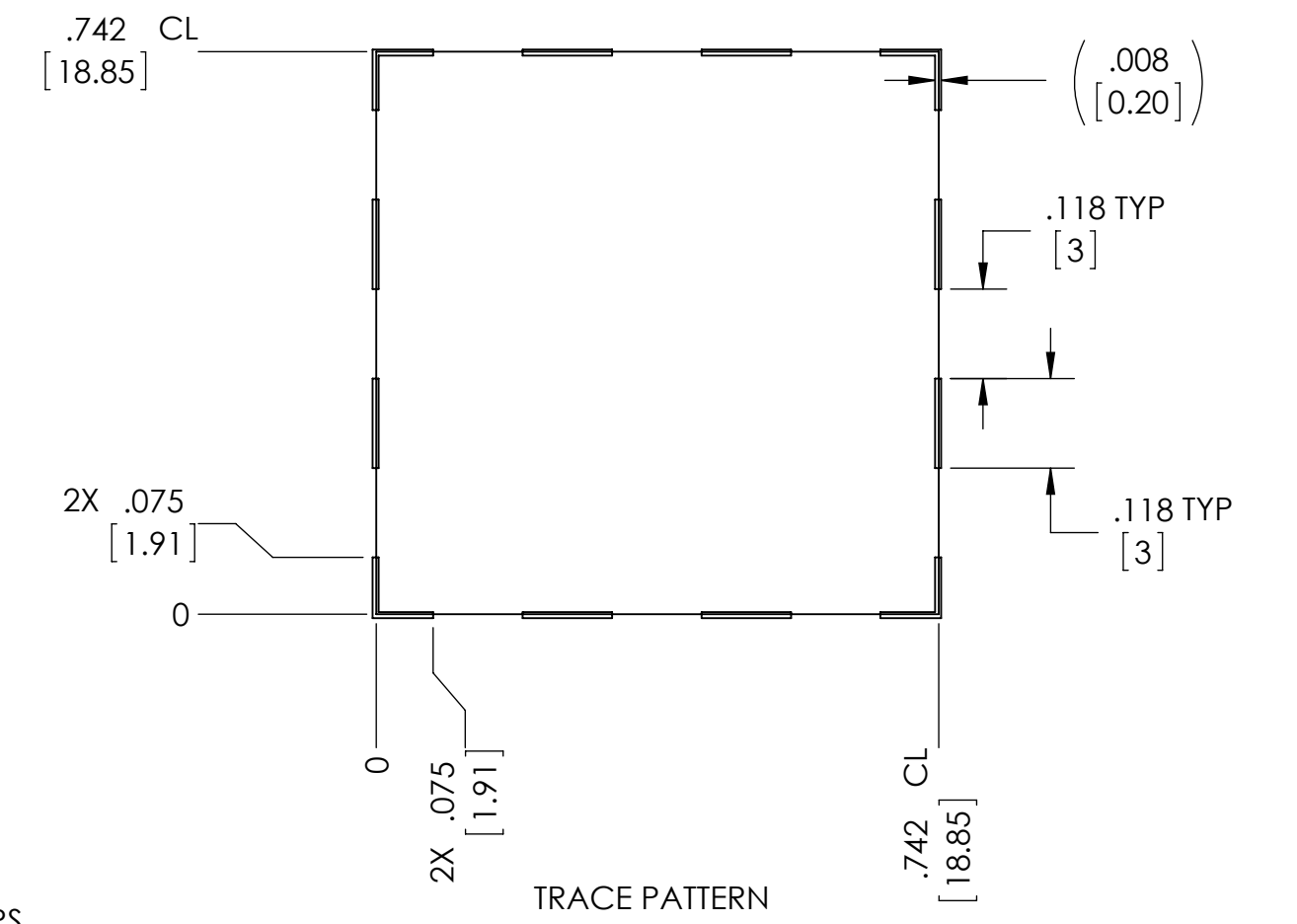
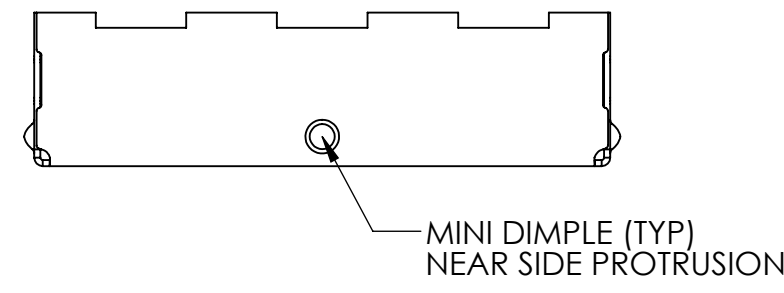
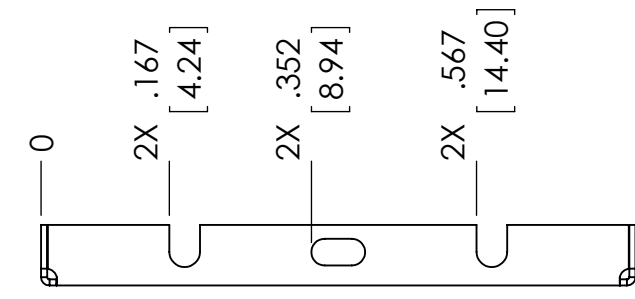


- NOTES:
1. ASSURE ASSEMBLY CAPABILITY BY MATCHING WITH MATING PART
  2. PACKAGING: TAPE AND REEL FOR THE FRAMES
  3. DIMENSIONS IN BRACKETS ARE IN MM



CARRIER TAPE SPECIFICATIONS						
PART NUMBER	DESCRIPTION	OVERALL DIMENSION	OVERALL HEIGHT	CARRIER TAPE WIDTH	CARRIER TAPE PITCH	PARTS PER REEL
SMS-255 F	FRAME	.750 X .750 (19.05 X 19.05)	.200 (5.08)	32 mm	28 mm	300
SMS-255 C	COVER	.744 X .744 (18.90 X 18.90)	.079 (2.00)	N/A	N/A	BULK PACK

THIS DOCUMENT CONTAINS PROPRIETARY INFORMATION OWNED BY LEADTECH OR DEVELOPED AT ITS OWN PRIVATE EXPENSE AND MAY NOT BE USED, DUPLICATED OR DISCLOSED IN WHOLE OR IN PART FOR ANY PURPOSE INCLUDING DESIGN, MANUFACTURE OR PROCUREMENT WITHOUT THE WRITTEN PERMISSION OF LEADTECH. LEADTECH DOES NOT GUARANTEE OR WARRANT THE PERFORMANCE CHARACTERISTICS.

ITEM	PART NUMBER	DESCRIPTION	QTY.
1	SMS-255 F	FRAME	1
2	SMS-255 C	COVER	1

UNLESS OTHERWISE SPECIFIED:  
 - ALL DIMENSIONS ARE IN INCHES  
 - PART SHALL BE FREE OF BURRS AND SHARP EDGES  
 - ALL DIMENSIONS SHOWN APPLY BEFORE PLATING AND COATINGS  
 - ROHS COMPLIANT PER EU DIRECTIVE 2011/65/EU  
 - POI = POINT OF INTERSECTION

THIRD ANGLE PROJECTION  
 ANGLES +/- 2°

DRAWN BY: NA 2013-11-14 APPROVED BY: ND 2013-11-15

MATERIAL: MATTE TIN  
 .008" THICK PRE TIN STEEL

LEADER TECH  
 a HEICO company  
 The Leading Edge in PWB Mounting Technology

TITLE: SURFACE MOUNT SHIELD

SIZE: D DWG. NO.: SMS-255 C REV: C

SCALE: 4:1 CAGE CODE: 4J674 SHEET: 1 OF 1