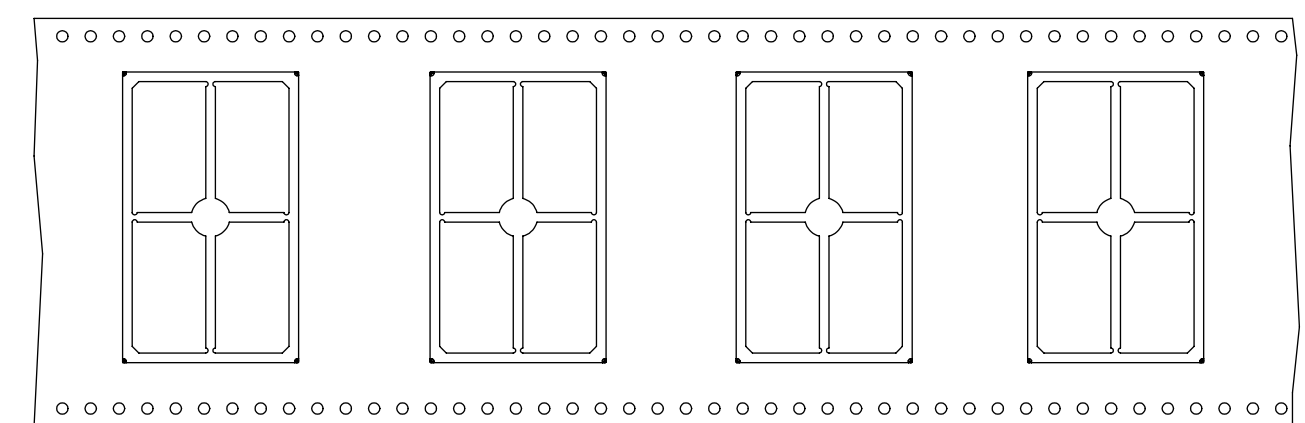
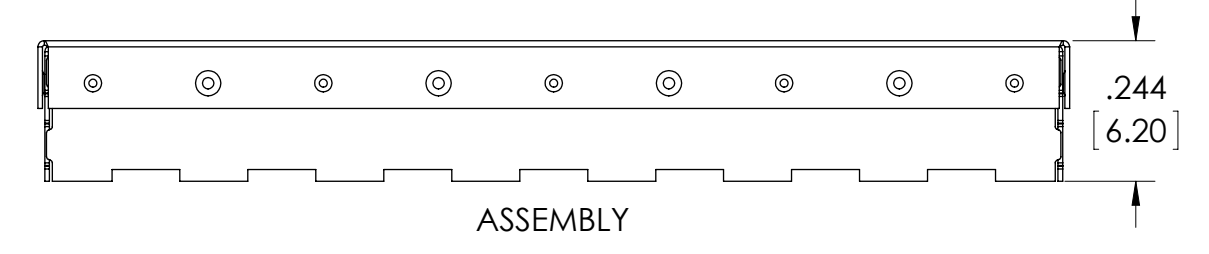
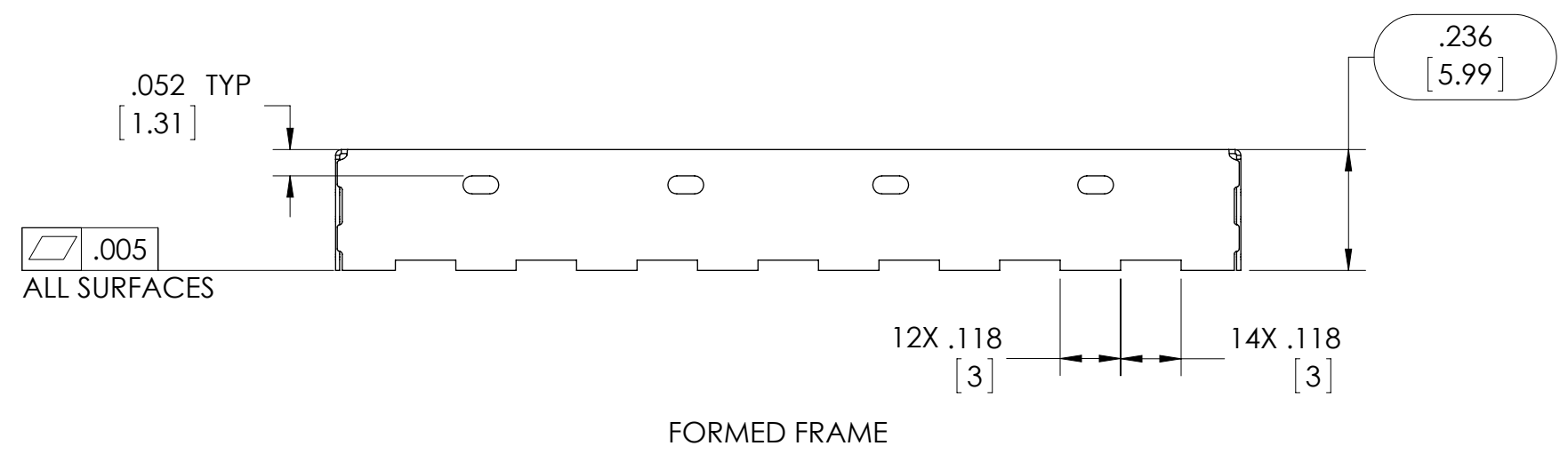
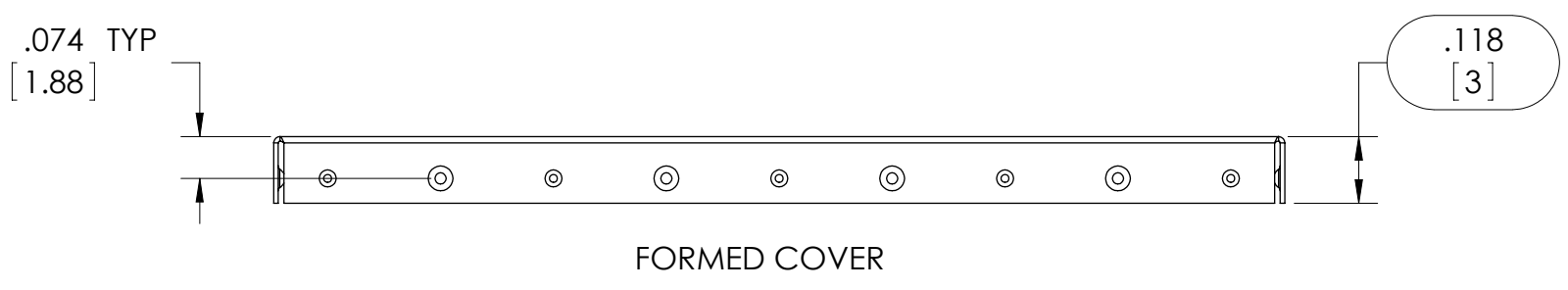
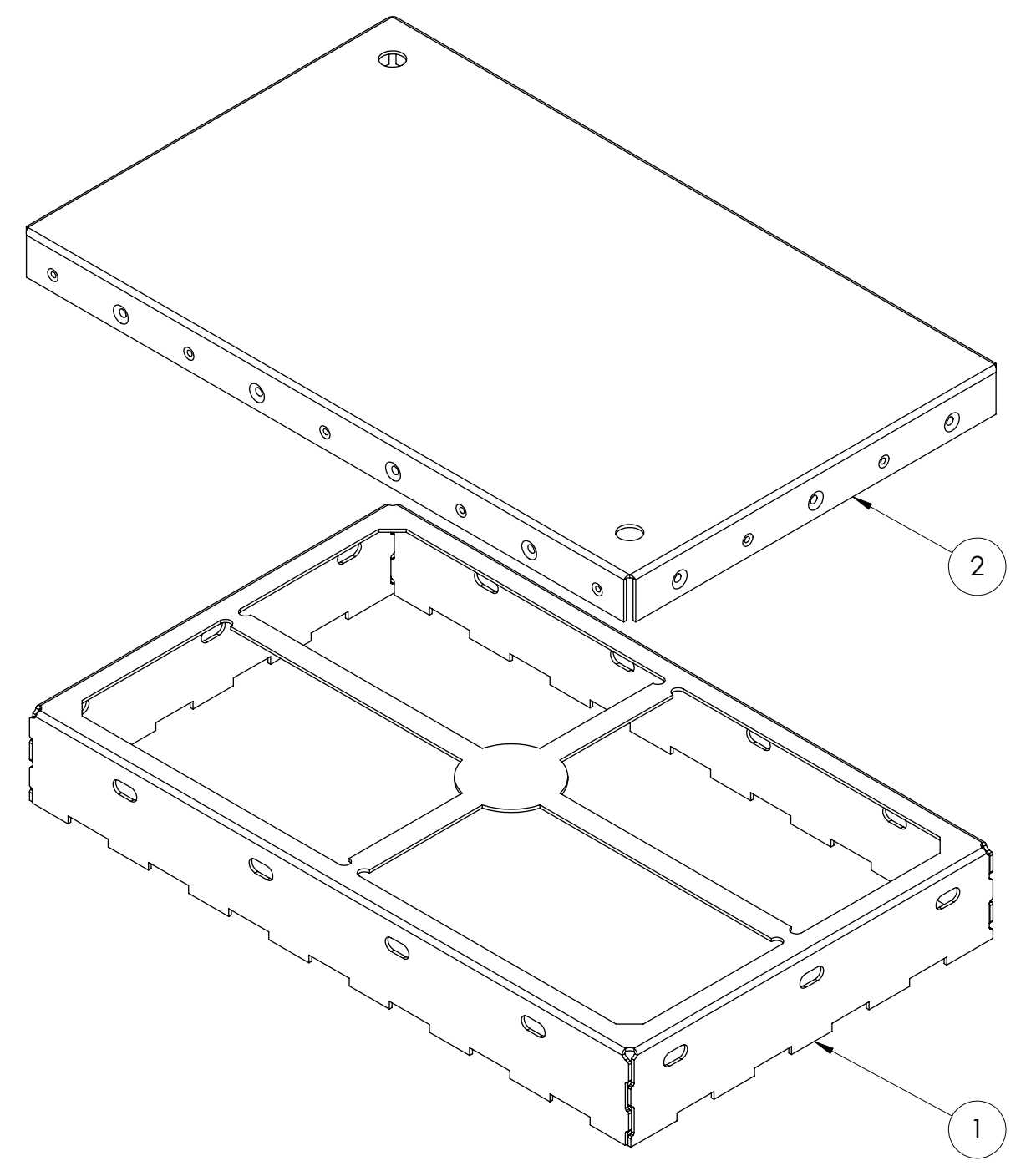
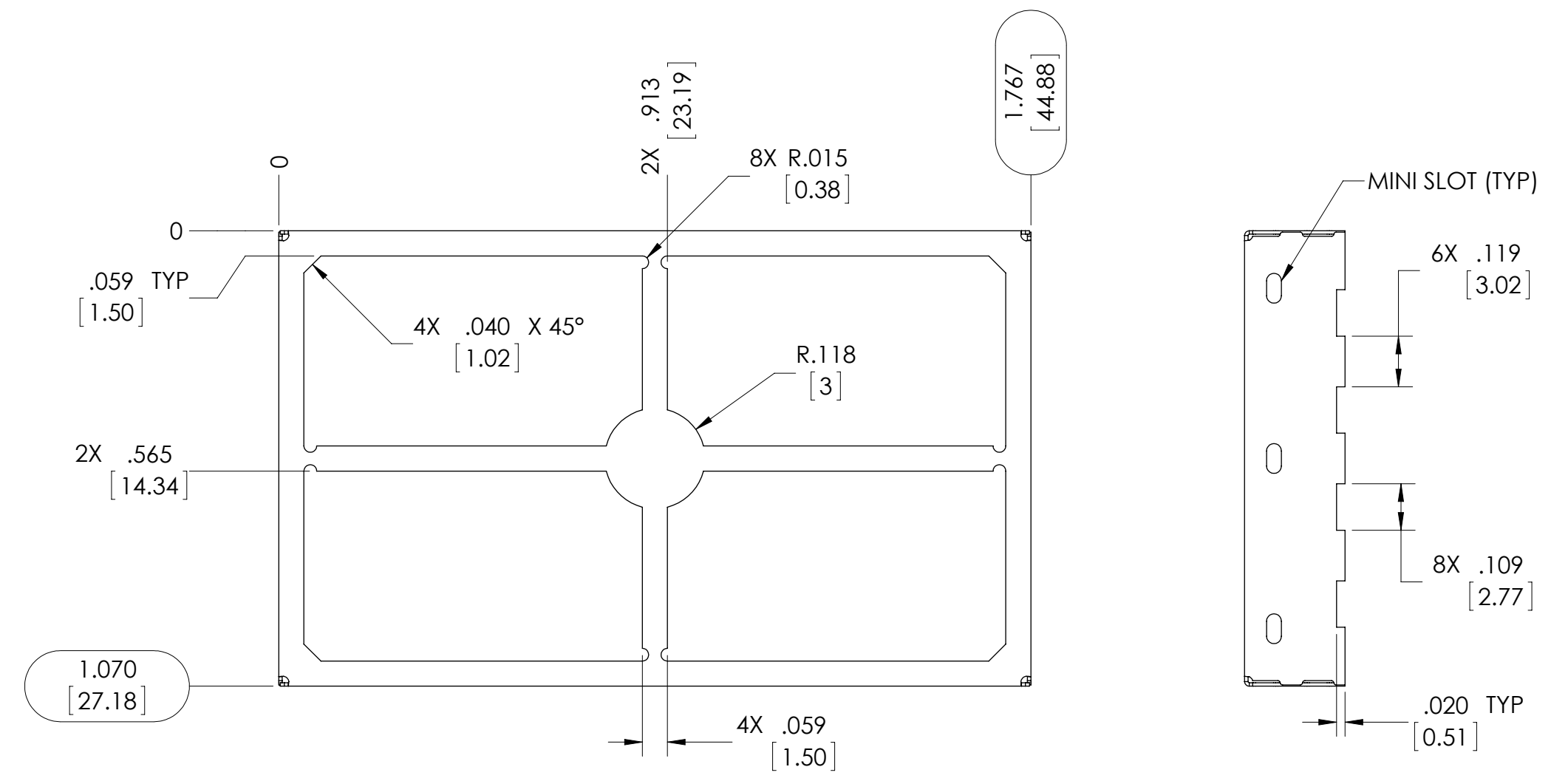
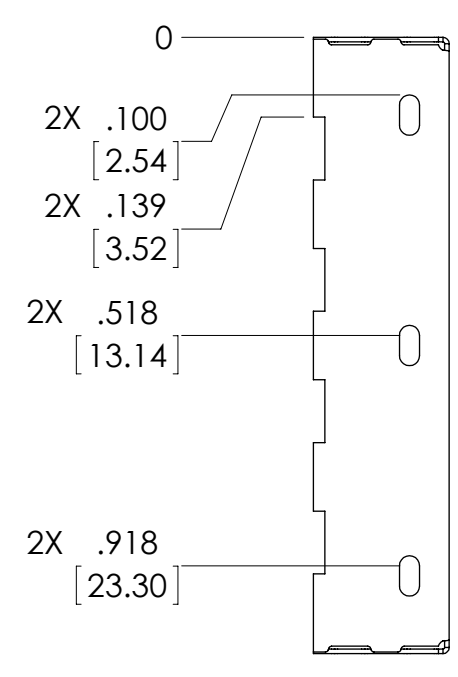
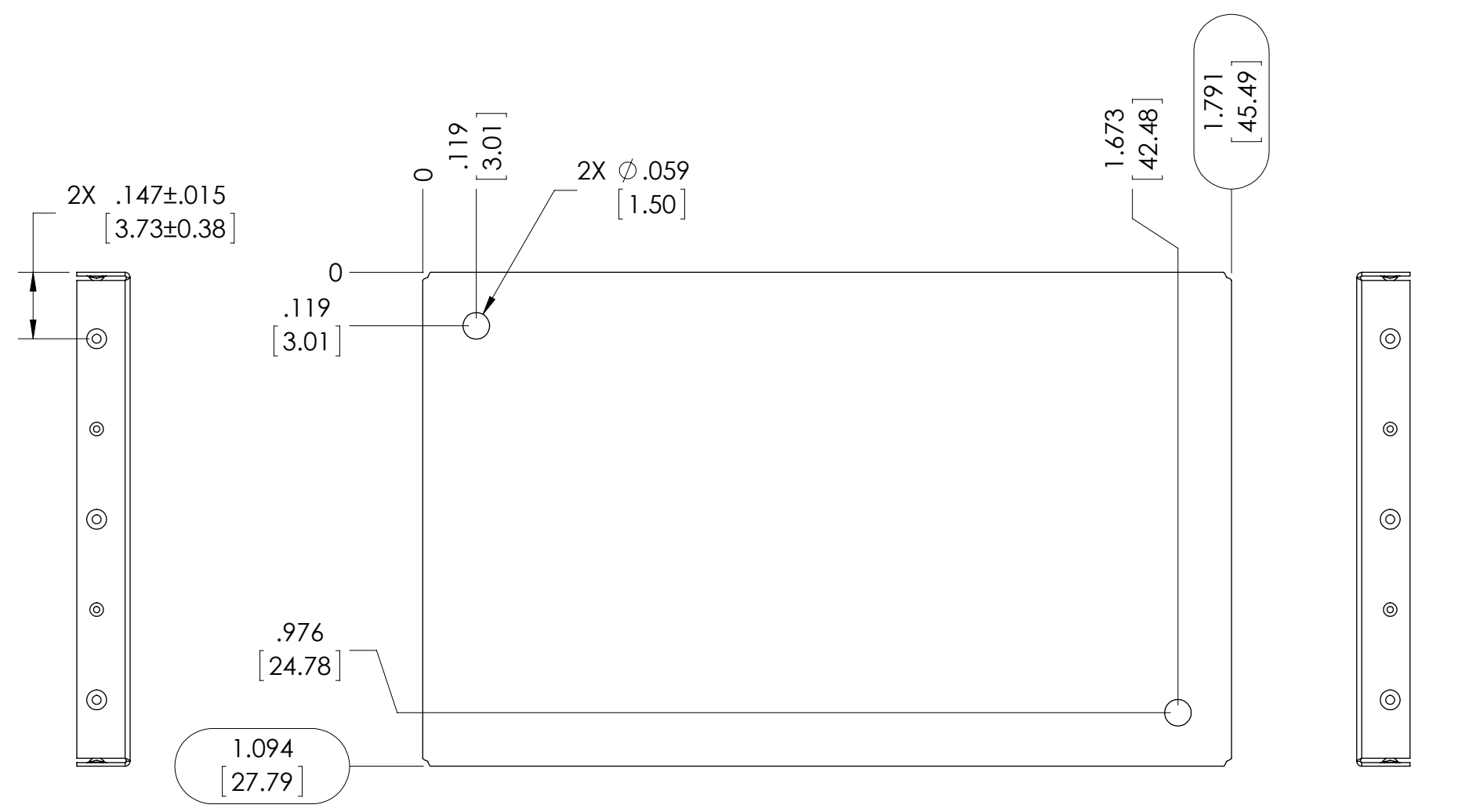
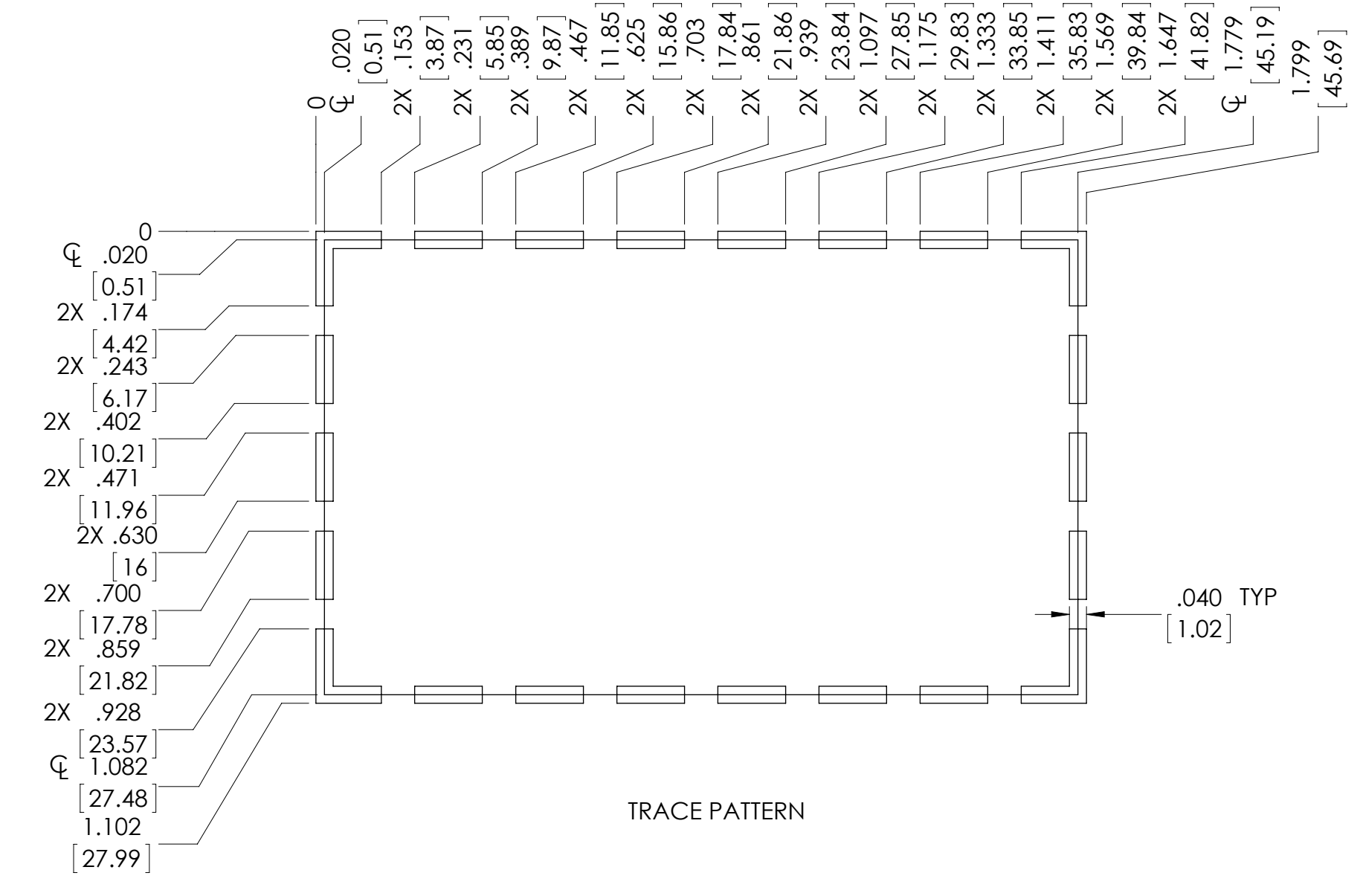
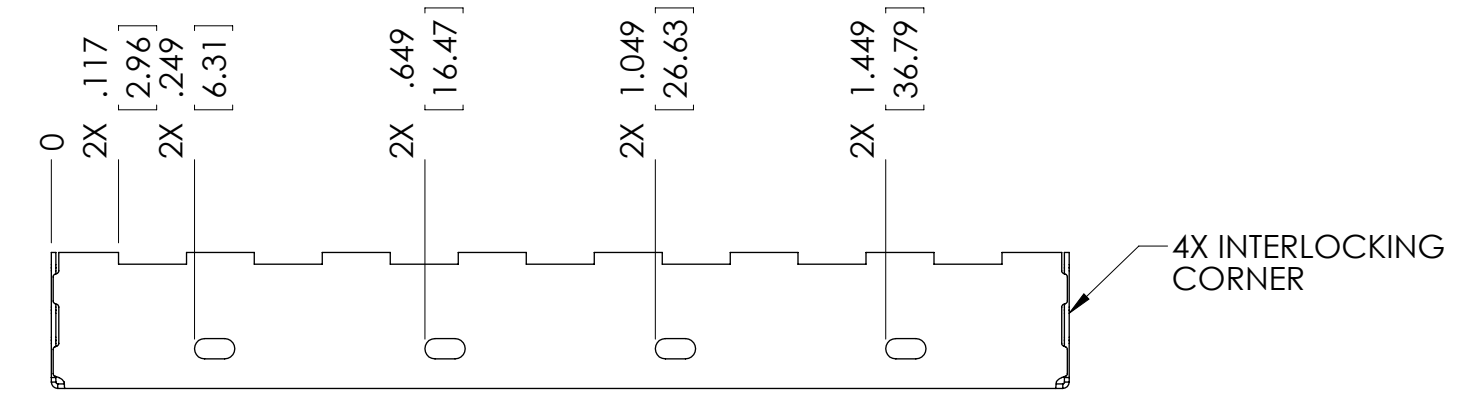
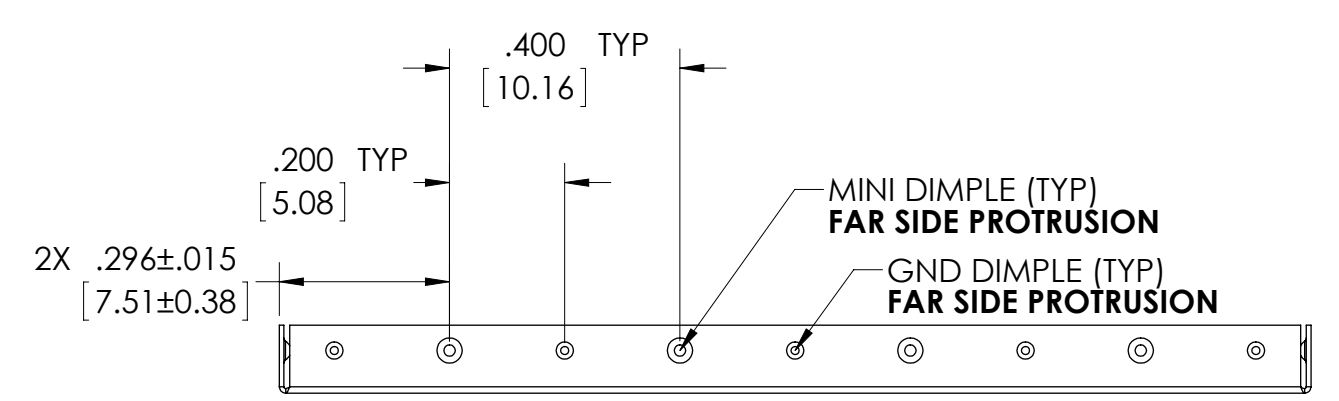


- NOTES:
1. ASSURE ASSEMBLY CAPABILITY BY MATCHING WITH MATING PART
 2. DIMENSIONS IN [] ARE IN MILLIMETERS



CARRIER TAPE SPECIFICATIONS						
PART NUMBER	DESCRIPTION	OVERALL DIMENSIONS	OVERALL HEIGHT	CARRIER TAPE WIDTH	CARRIER TAPE PITCH	PARTS PER REEL
SMS-460F	FRAME	1.070 X 1.767 [27.18 X 44.88]	.236 [5.99]	72 mm	40 mm	230
SMS-460C	COVER	1.094 X 1.791 [27.79 X 45.49]	.118 [3.00]	N/A	N/A	BULK PACK

ITEM NO.	PART NUMBER	DESCRIPTION	QTY.
1	SMS-460F	FRAME	1
2	SMS-460C	COVER	1

<small>UNLESS OTHERWISE SPECIFIED: - ALL DIMENSIONS ARE IN INCHES - PART SHALL BE FREE OF BURRS AND SHARP EDGES - ALL DIMENSIONS SHOWN APPLY AFTER PLATING AND COATINGS - ROHS COMPLIANT PER EU DIRECTIVE 2011/65/EU - POI = POINT OF INTERSECTION</small>		<small>THIRD ANGLE PROJECTION</small> 	 <small>The Leading Edge in PCB Manufacturing Technology</small>
<small>.XXX +/- .005 .XX +/- .010 .X +/- .020</small> ANGES +/- 2°		<small>TITLE:</small> SURFACE MOUNT SHIELD	
<small>DRAWN BY:</small> JG	<small>APPROVED BY:</small> ND	<small>DATE:</small> 2015-10-30	<small>REV:</small> A
<small>FRIG:</small> MATTE	<small>MATERIAL:</small> 0.008" PRE TIN STEEL	<small>SCALE:</small> 3:1	<small>CAGE CODE:</small> 4J674

THIS DOCUMENT CONTAINS PROPRIETARY INFORMATION OWNED BY LEADERTECH OR DEVELOPED AT ITS OWN PRIVATE EXPENSE AND MAY NOT BE USED, DUPLICATED OR DISCLOSED IN WHOLE OR IN PART FOR ANY PURPOSE INCLUDING DESIGN, MANUFACTURE OR PROCUREMENT WITHOUT THE WRITTEN PERMISSION OF LEADERTECH. LEADERTECH DOES NOT GUARANTEE OR WARRANT THE PERFORMANCE CHARACTERISTICS.